

Introduction

B. S. Ogorzalek

JHU/APL

GUVI Software PDR

GUVI Software PDR Agenda

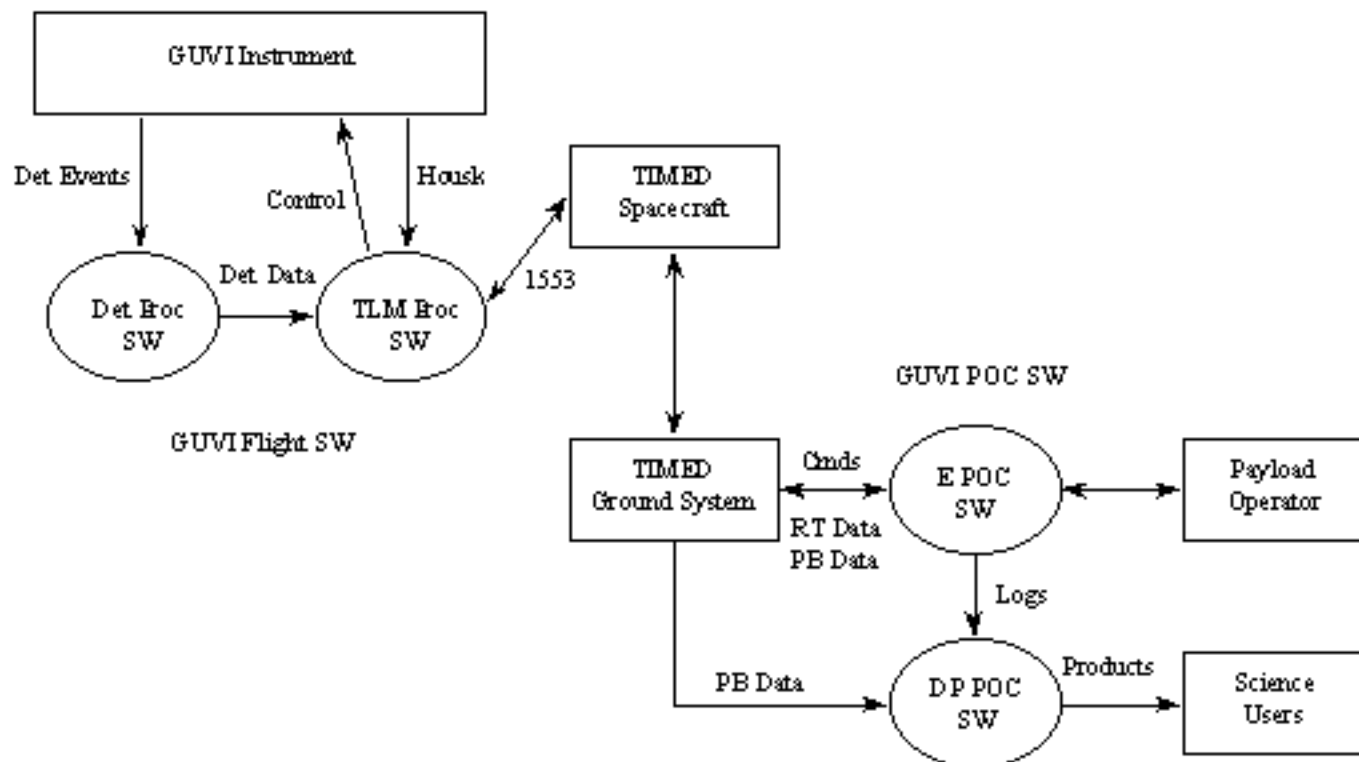
May 16, 1997
Room 23-293

| | | | |
|----------|---------------------|--------------|--------|
| 9:00 AM | Introduction | B. Ogorzalek | 15 min |
| 9:15 AM | Software QA | H. Utterback | 15 min |
| 9:30 AM | Operational Concept | B. Ogorzalek | 30 min |
| 10:00 AM | Flight SW Overview | B. Ogorzalek | 15 min |
| 10:15 AM | Detector Proc SW | J. Goldsten | 45 min |
| 11:00 AM | Telemetry Proc SW | D. Mabry | 60 min |
| 12:00 PM | Lunch | | 45 min |
| 12:45 PM | GUVI POC Overview | M. Weiss | 15 min |
| 1:00 PM | Engineering POC SW | P. Lew | 75 min |
| 2:15 PM | Data Proc POC SW | M. Weiss | 60 min |
| 3:15 PM | Science Algorithms | S. Evans | 30 min |
| 3:45 PM | Review | | 30 min |
| 4:15 PM | End | | |

GUVI Software Segments

- Flight Software
 - Telemetry Processor Software
 - Detector Processor Software
- Payload Operations Center (POC) Software
 - Engineering POC Software
 - Data Processing POC Software

GUVI Software Context Diagram



GUVI Software Organization

