

GUVI Electrical Design

Bernard S. Ogorzalek

JHU/APL

301-953-6000 x8460

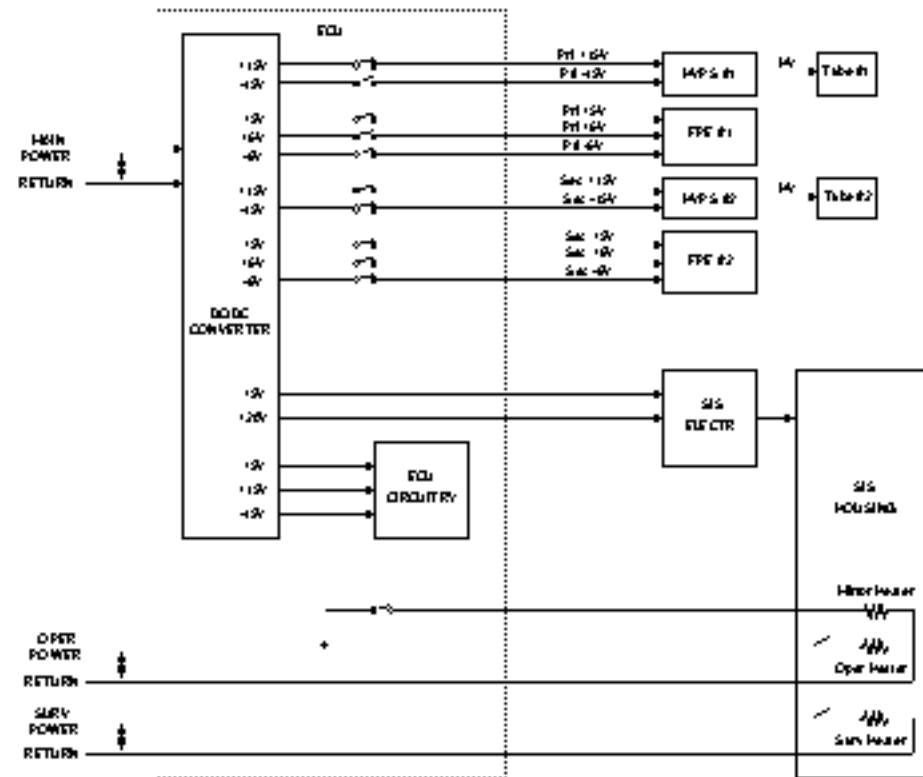
GUVI Electrical Design

- Power Flow
- Grounding
- Power Estimate
- System Harness
- Signal Flow

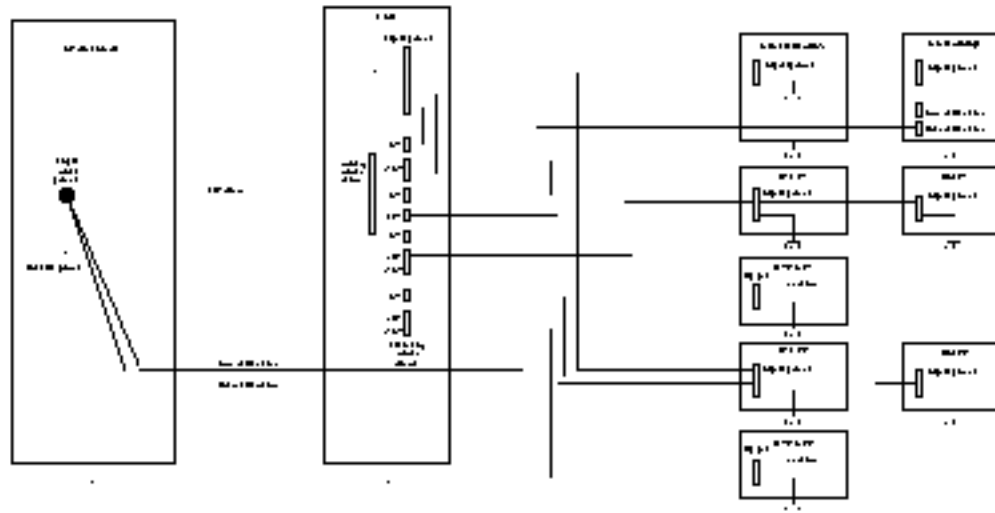
GUVI Power Interface

- Main power switch, fuse, and current monitor on S/C side of interface
- No main bus switch, fuse, or current monitor in GUVI
- Operational heater power switched on with main power
- Survival heater power switch on S/C side
- Separate main power connector
- Operational and survival heater power

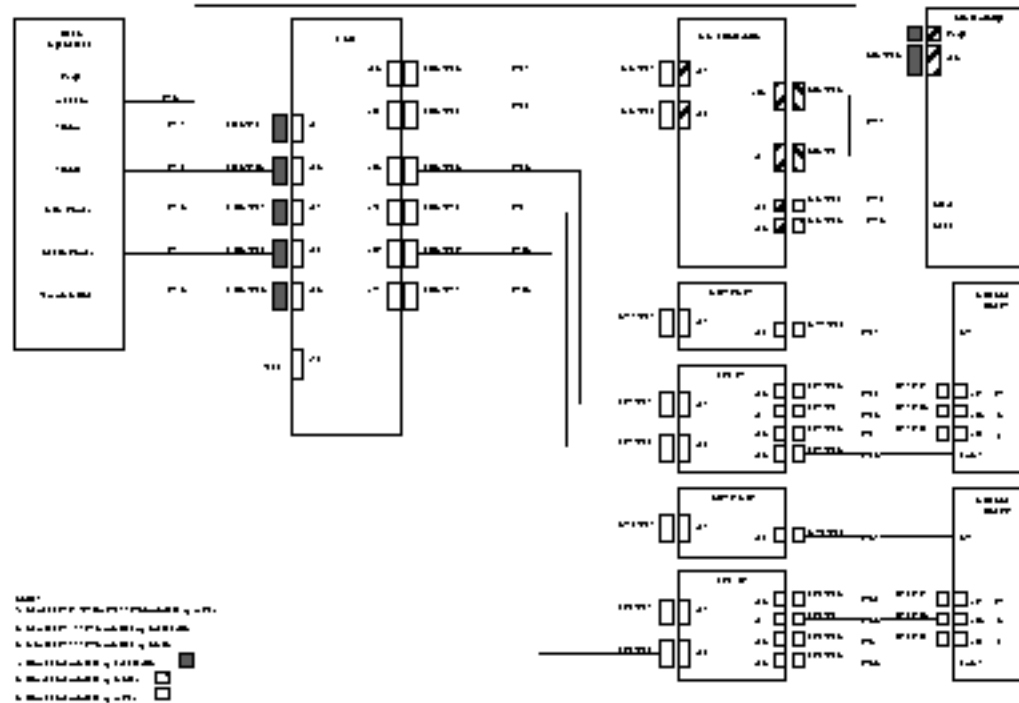
GUVI SYSTEM POWER FLOW DIAGRAM



GUVI Grounding Diagram



GUM Home os Diagram



1998

GUI SIGNAL FLOW DIAGRAM

